



# Glen Falls™

Top-mount/undermount utility sink  
K-19017-3

## Features

- 27" (686 mm) minimum base cabinet width.
- Single bowl.
- 13" depth provides generous workspace.
- Three faucet holes.

## Material

- KOHLER® enameled cast iron.

## Installation

- Dual-mount sink can be installed as top-mount or undermount.
- Undermount installation kit not included.

## Recommended Products/Accessories

- K-8801 Sink drain and strainer with tailpiece
- K-8799 Sink drain and strainer basket
- K-23726 Drain treatment
- K-23725 Cast iron cleaner

## Optional Products/Accessories

- K-11352 Disposal Flange with Stopper
- K-9000 P-Trap



## Codes/Standards




ASME A112.19.1/CSA B45.2

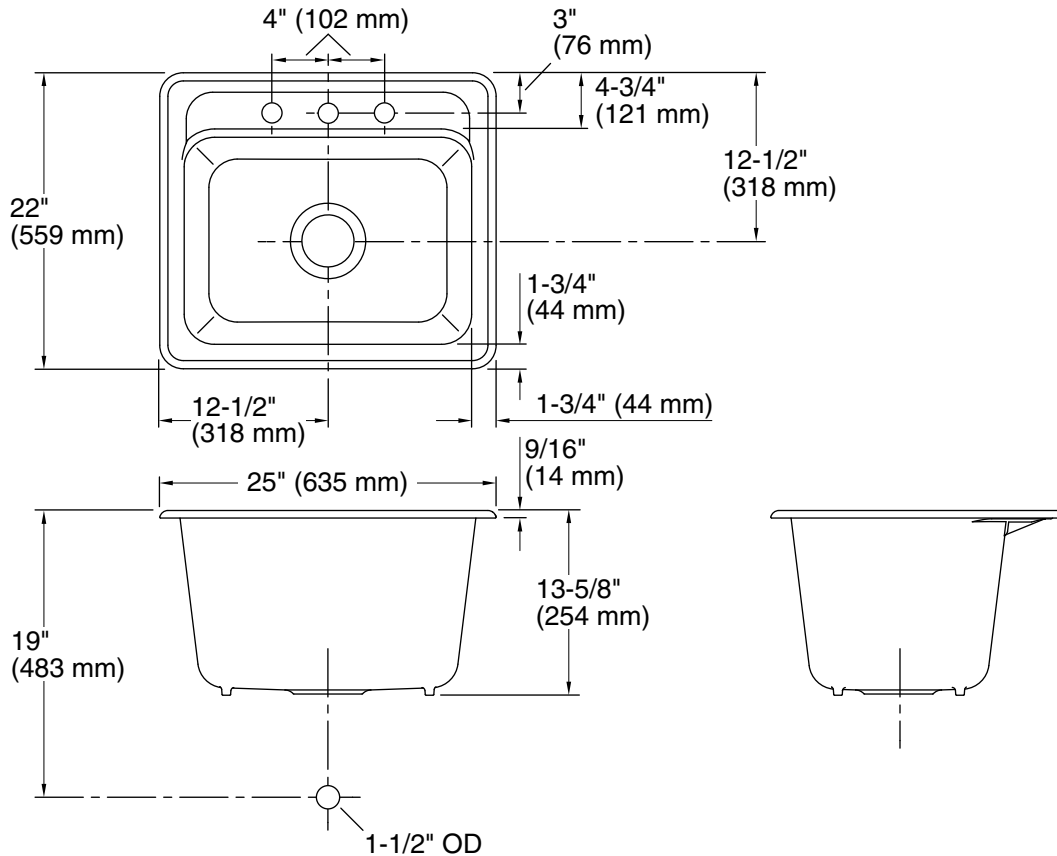
## KOHLER® Enameled Cast Iron Kitchen Sink Lifetime Limited Warranty

See website for detailed warranty information.

## Available Colors/Finishes

*Color tiles intended for reference only.*

Color	Code	Description
	0	White
	96	Biscuit
	7	Black Black™



### Technical Information

All product dimensions are nominal.

Bowl configuration: Single

Installation: Top-mount, Under-mount

Min. base cabinet width: 27" (686 mm)

Bowl area (Only):  
 Length: 21-1/2" (546 mm)  
 Width: 15-1/2" (394 mm)  
 Bowl depth: 13" (330 mm)  
 Water depth: 13" (330 mm)

Number of deck holes: 3

Faucet hole(s): 1-3/8" (35 mm)

Drain hole: 3-7/8" (98 mm)

Template: 1079983-7, required, included

### Notes

Install this product according to the installation instructions.